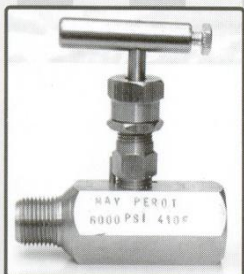


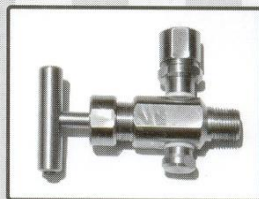


MAY PEROT

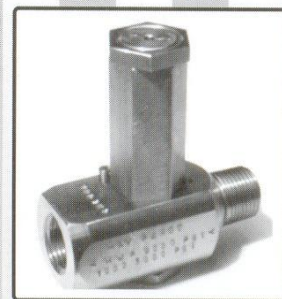
FABRICANTES



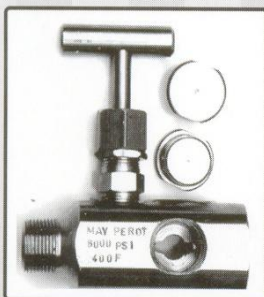
Válvulas de Aguja



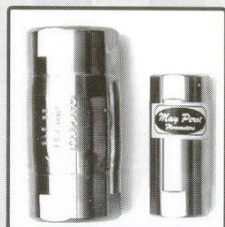
Válvulas de Nivel



Válvulas Amortiguadora Presión

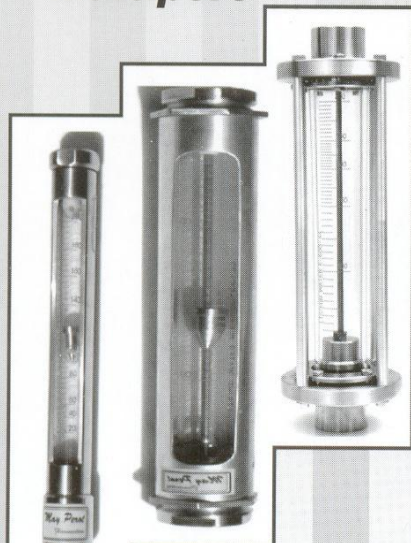
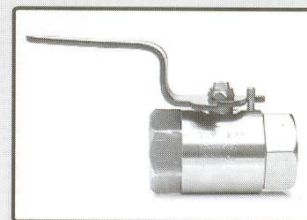
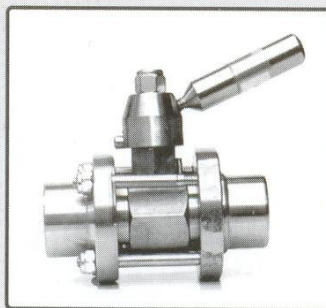


Válvulas Multiport

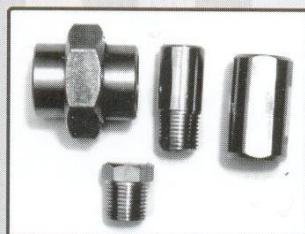


Válvulas Check

Válvulas de Bola



Rotámetros Flujoímetros



Accesorios Inoxidables

Visores de Nivel

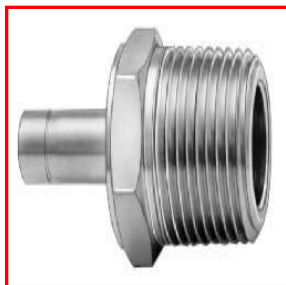


Visores Mirillas

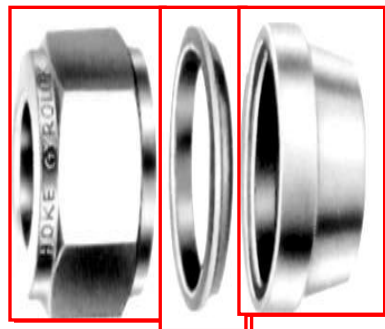
Conectores para tubería



Union conector hembra



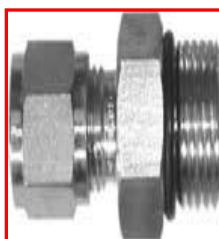
Adaptador macho



Tuerca y ferrules p/ tubing (pulg o metrica)



Conector de tubing a rosca macho (pulg o metrica)



Adaptador tubing a rosca macho



Conector de tubing a rosca hembra (pulg o metrica)



Conector de tubing a rosca macho (pulg o metrica)



Union pasa - muro



Adaptador ferrule



Union p/tubing



Conector de
manguera
tipo espiga



Conector
tipo CODO 90



Union de tubing
(pulg o metrica)



Conector
Recto



Conector de
manguera tipo espiga



Adaptador
tubing



Conector
tipo TEE

MAY PEROT

ACCESORIOS PARA TUBERIAS

Fabricadas en Acero inoxidable AISI 316 y 304 ; ASTM A 276-00A . AISI-316 L
 Acero al Carbono : Hexagonal ASTM A 105. FORJADO , ASTM A-106.
 Materiales de fabricación para servicio extra fuerte y resistir presión de
 operación desde 150 hasta 10.000 P.S.I , de acuerdo a los requerimientos . El
 procesos de manufactura es por mecanización , a partir de barras macizas.
 Norma ANSI B16.11/ NSS-SP-114
 Conexiones tipo :Roscas NPTM-NPTH, Y Soldables (SOCKET WELD).

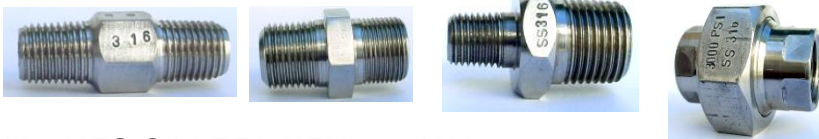
BUSHING HEXAGONALES REDUCCIONES Y TIPO CAMPANA



DIAMETROS PULG.
1/4 X 1/8
3/8 X 1/4
1/2 X 3/8
1/2 X 1/4
3/4 X 1/2
3/4 X 1/4
1 X 3/4
1 X 1/2
1 X 1/4
1 1/4 X 1
1 1/4 X 3/4
1 1/4 X 1/2
1 1/2 X 1
1 1/2 X 3/4
2 X 1 1/2
2 X 1
2 X 1/2



**NIPLES CON CUELLOS
 HEXAGONALES y
 REDUCCION HEXAGONAL**



UNIONES UNIVERSALES

TAPONES CABEZA HEXAGONAL



TAPAS ROSCADAS HEXAGONAL



TAPONES HEXAGONAL CON PURGA, PARA DRENAR
 Diámetros disponibles desde 1/4 -3/8-1/2-3/4-1 pulgadas.



**ANILLOS COUPLING RECTOS
 LISOS Y CON CUELLOS**





MayPerot

UNION UNIVERSAL

Roscadas HNPT X HNPT

Fabricadas en Acero al Carbono : Hexagonal
 ASTM A 105. FORJADO , ASTM A-106.
 Recubrimiento exterior de excelente acabado .
 Materiales de fabricación para servicio extra
 fuerte y resistir presión de operación desde
 150 hasta 10.000 P.S.I , de acuerdo a los
 requerimientos . El procesos de manufactura
 es por mecanización , a partir de barras
 macizas.

Norma ANSI B16.11/ NSS-SP-114

Conexiones tipo :Roscadas NPTH.

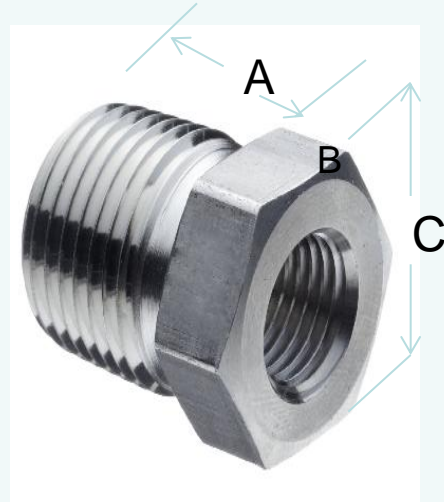


Pulg	1/4	3/8	1/2	3/4	1	1 1/4	1 1/2	2
A min/mm	44.5	47.5	54	58.5	63.5	71.5	79.5	95
Diam S1/mm	22	25.5	32	38	44.5	57	63.5	76
p.100 pzas SCH 80	14	20	35	42.5	65	97.5	125.5	201



MayPerot

**REDUCING BUSHING.
CONNECTION: MALE X FEMALE
THREADED.
1/2 IN MNPT X 3/8 IN FNPT.**



	Female	Male		B	C
NPT Threads	NPT SIZE in	NPT Size in	A mm	Hex Flat	Hex Flat
8-6RB	3/8	1/2	17.5	5	25

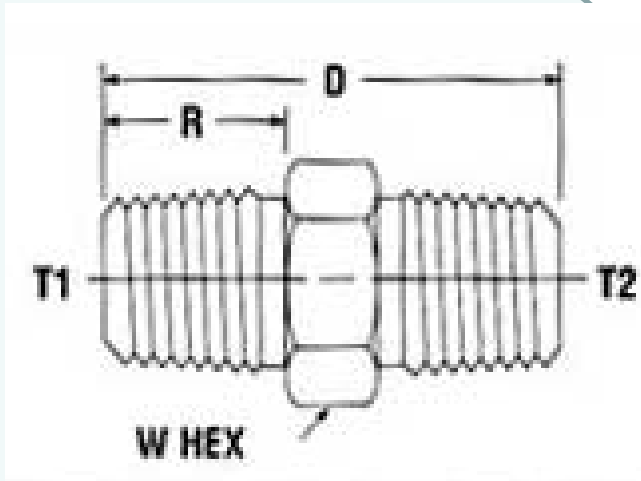
T Dimensions —millimeter

Body Material	STAINLESS STEEL, 316
Brand	Mayperot
Shape	HEXAGONAL.
Fitting Style	REDUCING BUSHING
End 1 Size	1/2 IN MNPT
End 2 Size	3/8 IN FNPT
WORKING PRESSURE:	6000 PSIG.
CONNECTION:	MALE X FEMALE THREADED



Male Hex Nipple

1/2" MNPT x 1/2" MNPT X 3 IN
AISI 316



Part No	NPT THREAD MALE		W HEX	D IN.	R IN	Working Pressure (PSIG)
	T1	T2				
8 HLN-3.00	1/2	1/2	7/8	3	.75	7.000

T Dimensions —inches

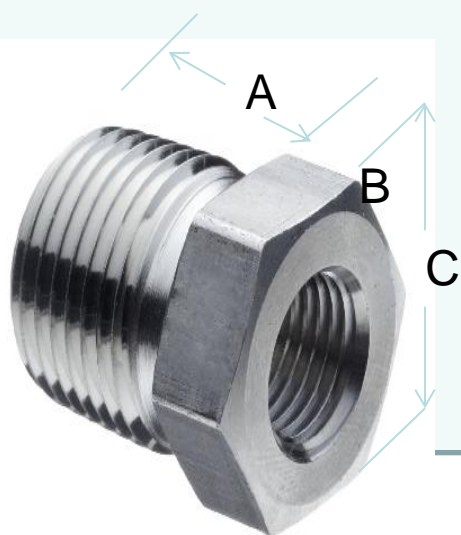
Product Description

Hex Nipple, Pipe Size 1/2 In., Threaded Connection, Material of Construction 316 Stainless Steel, Thread Size 1/2-14, Hex Size 7/8 In., Length 3 In., Pressure (PSI) 6600, Temp. Range -425 To 1200 Deg F, Standards ANSI B31.1, ANSI B31.3, ANSI B1.20.1



MayPerot

Bushing Reductor Roscado
1/2 NPT Macho – 3/8 NPT
Hembra
Acero Inoxidable AISI 316



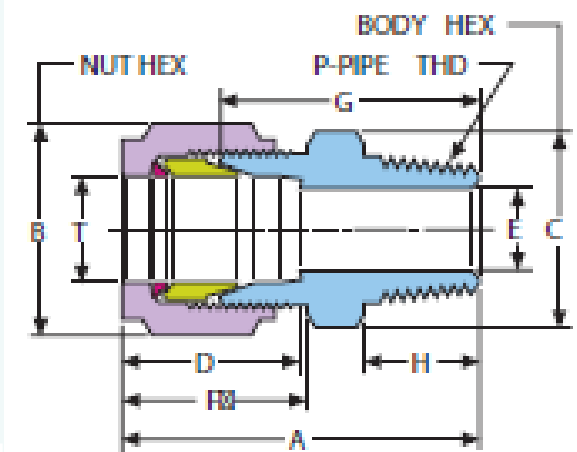
Nº Parte	NPT M X F PULG	A MM	B MM	C MM
1-4RB	1/4"X 1/8	12.5	5	16
3-8RB	3/8"X1/4	14.5	5	17.5
8-6RB	1/2X3/8	17.5	5	25
3-4RB	3/4X1/2	19	6.5	27
1-4RB	1X3/4	20.5	6.5	36.5

Fabricadas en Acero inoxidable AISI 316 ; ASTM A 276-F316 . AISI-316 L. Materiales de fabricación para servicio extra fuerte resistir presión de operación 6.000 P.S.I , y alta resistencia a la corrosión, de acuerdo a los requerimientos . El proceso de manufactura es por mecanización , a partir de barras macizas.

Norma ANSI B16.11/ NSS-SP-114



Male Connector : CM, CM/EC connects fractional tube to 3/4" OD X 1/4" MNPT



WWW.MAYPEROT.COM mayperot@gmail.com 58+254-2310296 2313434

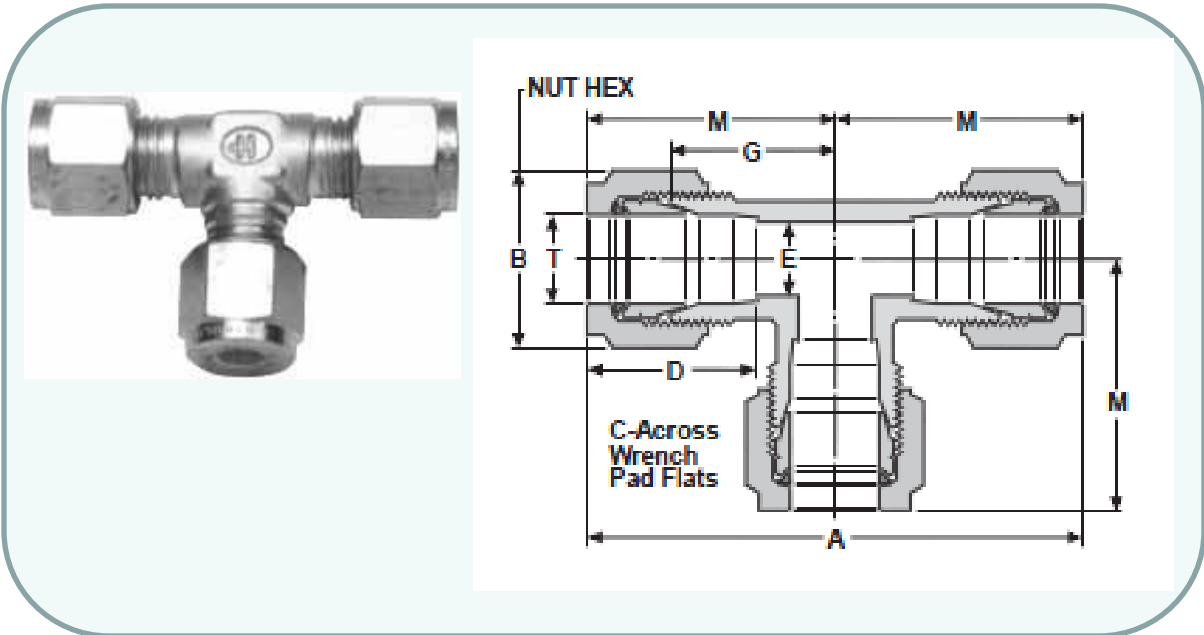
	T	P Male		B	C					
NPT Threads	Tube OD	NPT Size	A	Hex Flat	Hex Flat	D	E	F	G	H
12-4FBZSS	3/4	1/4	2.08	1 1/8	1 1/16	1	.66	.97	1.63	.75

T Dimensions —inches

Body Material	316 SS
Brand	Parker CPI
Shape	Straight-tube to male pipe
Fitting Style	connector male threaded
End 1 Size	Single ferrule tube fitting
End 2 Size	3/4
End 2 Type	MNPT



UNION TEE ½ . OUTSIDE
DIAMETER TUBE ½ IN
SAINLESS STEEL AISI 316



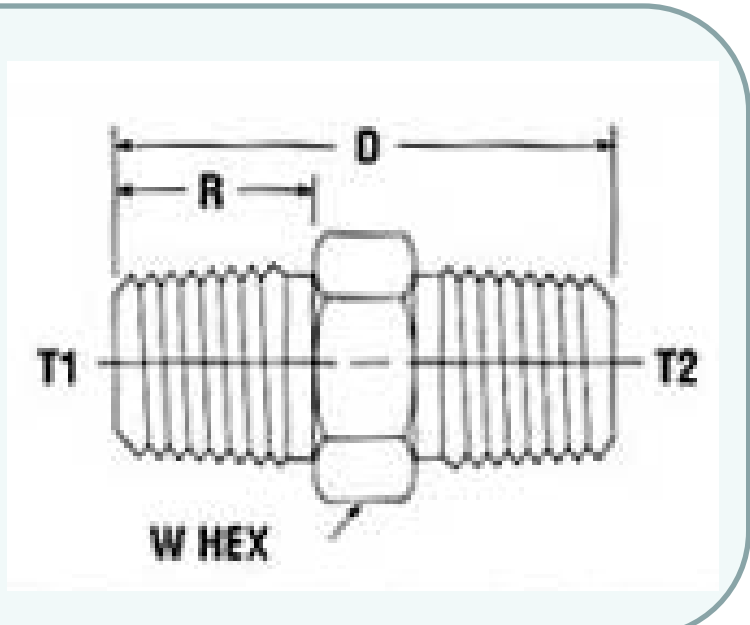
Union Tee: TTT connects fractional tubes

	T		B					
NPT Threads	Tube OD	A	Hex Flat	C	D	E	G	M
8-8-8 JBZ	8	57.2	15.9	12.7	16.7	5.8	20.6	28.6

Dimensions — mm



Male Hex Nipple
 316SS, 1/2" MNPT x 1/2" MNPT



Part No	NPT THREAD MALE		W HEX	D IN.	R IN	Working Pressure (PSIG)
	T1	T2				
8 8 MHN	1/2	1/2	7/8	1.89	.75	7.000

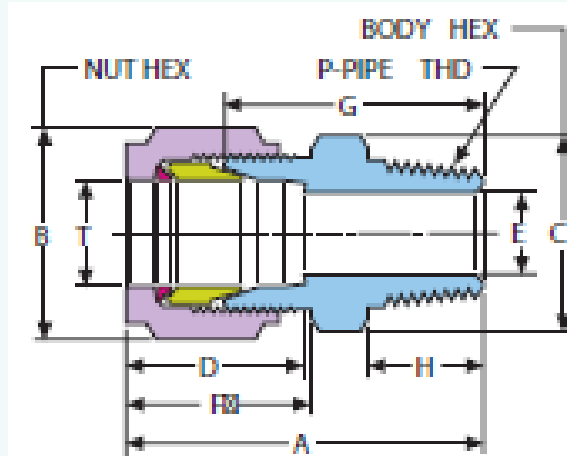
T Dimensions —inches

Product Description

Hex Nipple, Pipe Size 1/2 In., Threaded Connection, Material of Construction 316 Stainless Steel, Thread Size 1/2-14, Hex Size 7/8 In., Length 1.89 In., Pressure (PSI) 6600, Temp. Range -425 To 1200 Deg F, Standards ANSI B31.1, ANSI B31.3, ANSI B1.20.1


MayPerot

Male Connector : CM, CM/EC
connects fractional tube to
1/2" OD X 1/2" MNPT



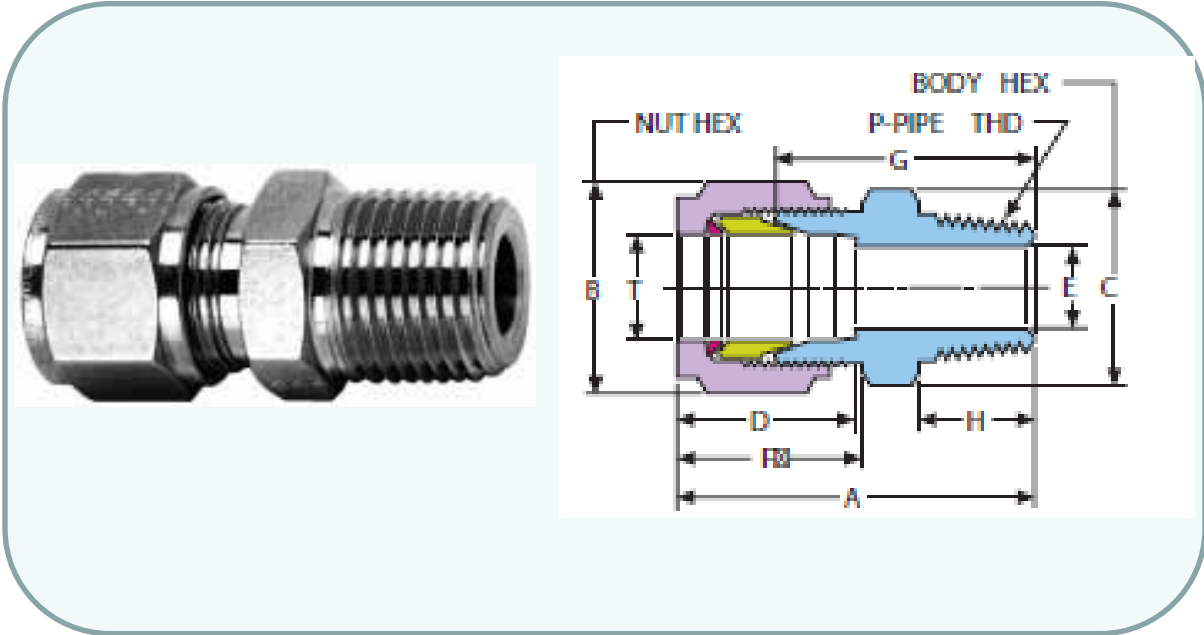
	T	P Male		B	C					
NPT Threads	Tube OD	NPT Size	A	Hex Flat	Hex Flat	D	E	F	G	H
8 8 FBZ SS	1/2	1/2	1.97	7/8	7/8	0.97	0.42	0.92	1.50	0.75

T Dimensions —inches

DESCRIPTION	ATTRIBUTE VALUE
PRODUCT TYPE	FITTING, PROCESS TUBE TO PIPE
TUBE SIZE	1/2" TUBE
TUBE CONNECTION	SINGLE FERRULE COMPRESSION
PIPE SIZE	1/2" PIPE
PIPE CONNECTION	MNPT
MATERIAL	316 SS
ADDITIONAL DETAIL	7/8" HEX
TRADE/BRAND NAME	CPI
SYNONYM	



Male Connector : CM, CM/EC connects fractional tube to 1/4" OD X 1/2" MNPT



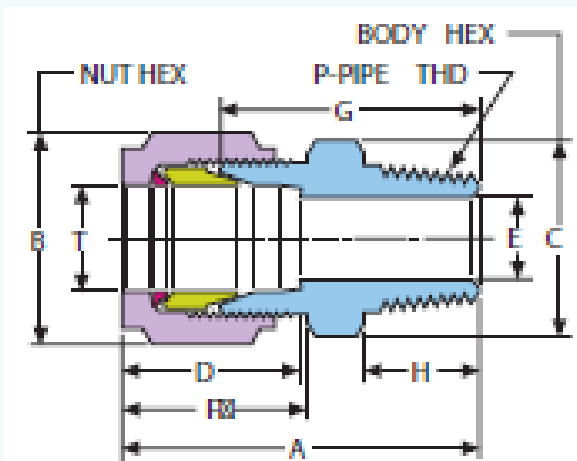
	T	P Male		B	C					
NPT Threads	Tube OD	NPT Size	A	Hex Flat	Hex Flat	D	E	F	G	H
4-8 FBZ-SS	1/4	1/2	1.80	9/16	7/8	.64	.19	.77	1.47	.75

T Dimensions —inches

Body Material	316 SS
Brand	Parker CPI
Shape	Straight-tube to male pipe
Fitting Style	thermocouple connector
End 1 Size	Single ferrule tube fitting
End 2 Size	1/2
End 2 Type	MNPT



Male Connector : CM, CM/EC
 connects fractional tube to
1/4" OD X 1/2" MNPT



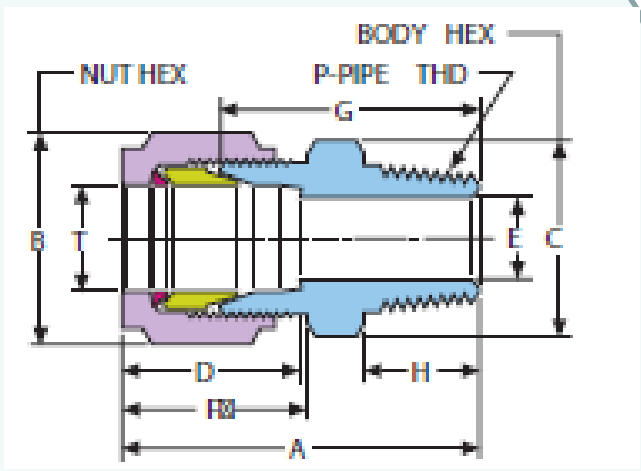
	T	P Male		B	C					
NPT Threads	Tube OD	NPT Size	A	Hex Flat	Hex Flat	D	E	F	G	H
4-8FH4BZ	1/4	1/2	1.80	9/16	7/8	.64	.19	.77	1.47	.75

T Dimensions —inches

Body Material	316 SS
Brand	Parker CPI
Shape	Straight-tube to male pipe
Fitting Style	thermocouple connector
End 1 Size	Single ferrule tube fitting
End 2 Size	1/2
End 2 Type	MNPT



Thermocouple Connector 1/4" OD X 1/4" MNPT



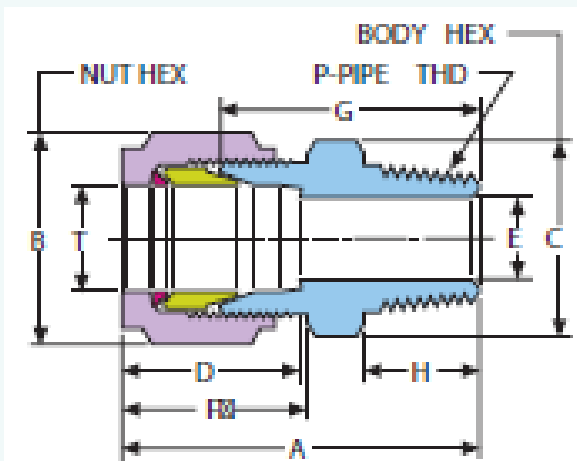
	T	P Male		B	C					
NPT Threads	Tube OD	NPT Size	A	Hex Flat	Hex Flat	D	E	F	G	H
4FH4BZ	1/4	1/4	1.58	9/16	9/16	.64	.19	.77	1.25	.56

T Dimensions —inches

Body Material	316 SS
Brand	Parker CPI
Shape	Straight-tube to male pipe
Fitting Style	thermocouple connector
End 1 Size	Single ferrule tube fitting
End 2 Size	1/4 in
End 2 Type	MNPT



Male Connector : CM, CM/EC
 connects fractional tube to
1/2" OD X 1/2" MNPT



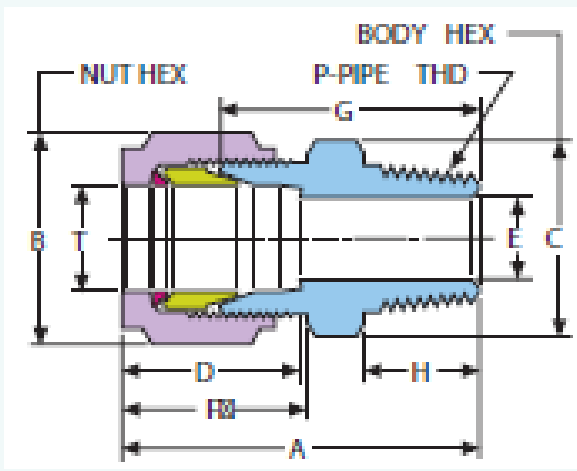
	T	P Male		B	C					
NPT Threads	Tube OD	NPT Size	A	Hex Flat	Hex Flat	D	E	F	G	H
8-8FBZ-SS	1/2	1/2	43.1	15.9	27	16.7	5.8	19.1	35	14

T Dimensions —inches

Body Material	316 SS
Brand	Parker CPI
Shape	Straight-tube to male pipe
Fitting Style	connector
End 1 Size	Single ferrule tube fitting
End 2 Size	1/8
End 2 Type	MNPT



**Male Connector : CM, CM/EC
connects fractional tube to
3/4" OD X 3/4" MNPT**



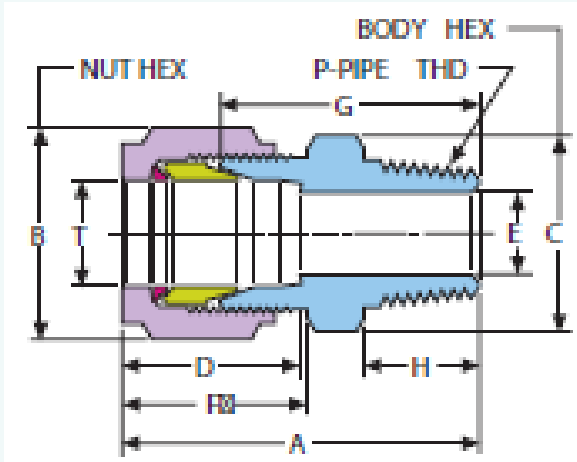
	T	P Male		B	C					
NPT Threads	Tube OD	NPT Size	A	Hex Flat	Hex Flat	D	E	F	G	H
12FBZSS	3/4	3/4	2.08	1 1/8	1 1/16	1	0.66	0.97	1.63	0.75

T Dimensions —inches

Specifications	
Fitting Style	Adapter
Description of Fitting Style	Fitting, Process Tube To Pipe
Dimensions	
Design Units	English
English	3/4"
Fitting Ports	
Connection Type	Ferrule; Threaded - Male; Tapered Thread
Material	Stainless
Application	Hydraulic



Male Connector : CM, CM/EC
 connects fractional tube to
1" OD X 1" MNPT



	T	P Male		B	C					
NPT Threads	Tube OD	NPT Size	A	Hex Flat	Hex Flat	D	E	F	G	H
1FBZSS	1	1	2.08	1 1/2	1 3/4	1	0.8	0.97	1.63	0.75

T Dimensions —inches

Specifications	
Fitting Style	Adapter
Description of Fitting Style	Fitting, Process Tube To Pipe
Dimensions	
Design Units	English
English	3/4"
Fitting Ports	
Connection Type	Ferrule; Threaded - Male; Tapered Thread
Material	Stainless
Application	Hydraulic