



# Valvulas Clorinador

Catalogo Técnico

## Chlorine Gas Valves

### Robust and Basic Valves

#### Design Specifications

	English	Metric
Maximum Working Pressure	500 PSI	34 BAR
Burst Pressure	7200 PSI	496 BAR
Operating Temperature Range	-50° F → +149° F	-45° C → +65° C
Storage Temperature Range	-60° F → +149° F	-51° C → +65° C
Leak Rate Internal/External	1 × 10 <sup>-6</sup> atm cc/s	1 × 10 <sup>-6</sup> mL/sec
Operating Torque	5–6 ft.-lbs.	6.8–8.1 N-m
Closing Torque	25 ft.-lbs.	33.9 N-m
Packing Nut Installation Torque	25–35 ft.-lbs.	33.9–47.4 N-m
Stem Installation Torque	10–12 ft.-lbs.	13.5 – 16.3 N-m
Fusible Plug Installation Torque	12–15 ft.-lbs.	16.3–20.3 N-m
Yoke Torque	Not to exceed 35 ft.-lbs.	Not to exceed 47.4 N-m
Minimum Cycle Life	2000 Cycles	2000 Cycles
Co. Flow Codes	1210A .733	1210A .733

#### Parts Breakdown for Chlorine Gas Valves

<b>A.</b> Packing Nut	<b>P1210-3 (Basic) or P1210A-3 (Robust)</b>
<b>B.</b> Packing Gland	<b>P1210-4</b>
<b>C.</b> Packing (2 required)	<b>P1210-6 (Garlock 6130) or P1210-6T (PTFE)</b>
<b>D.</b> Packing Washer	<b>P1210-5N</b>
<b>E.</b> Stem	<b>P1210-2M</b>
<b>F.</b> Outlet Cap Assembly	<b>P1210-11</b>
Outlet Cap Only	<b>P1210-14</b>
Outlet Cap Gasket	<b>P10-G-T</b>
<b>G.</b> Fusible Plug	<b>5853T Series (Cylinder Valve) 1333 or 1303 Series (Ton Container Valve)</b>

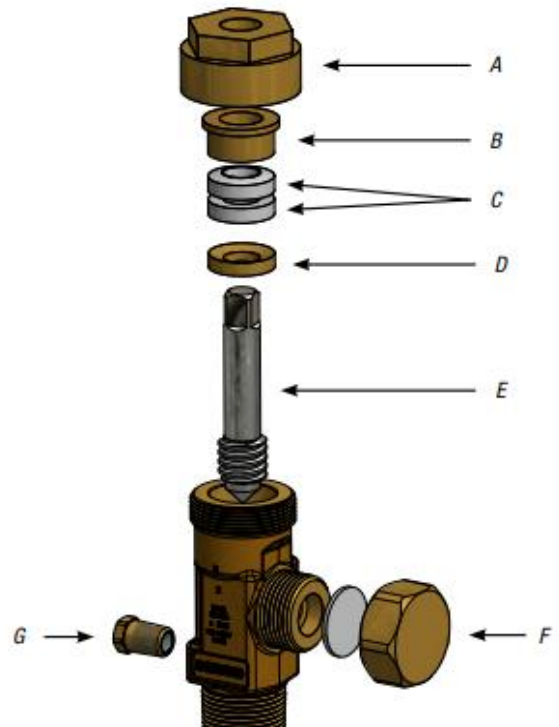
#### Materials of Construction

Part Description	Materials of Construction
Body	Aluminum Silicon Bronze C64210
Stem	Monel® ASTM B164-84 Type UNS N04400 or N04405
Packing Nut	Brass C36000
Packing Collar	Naval Brass C48500
Packing Gland	Brass C36000
Packing	PTFE or Garlock® 6130
Outlet Cap	Brass C36000
Outlet Cap Gasket	PTFE
Fusible Plug PRD	Naval Brass C48500 (with 165° F fusible metal)

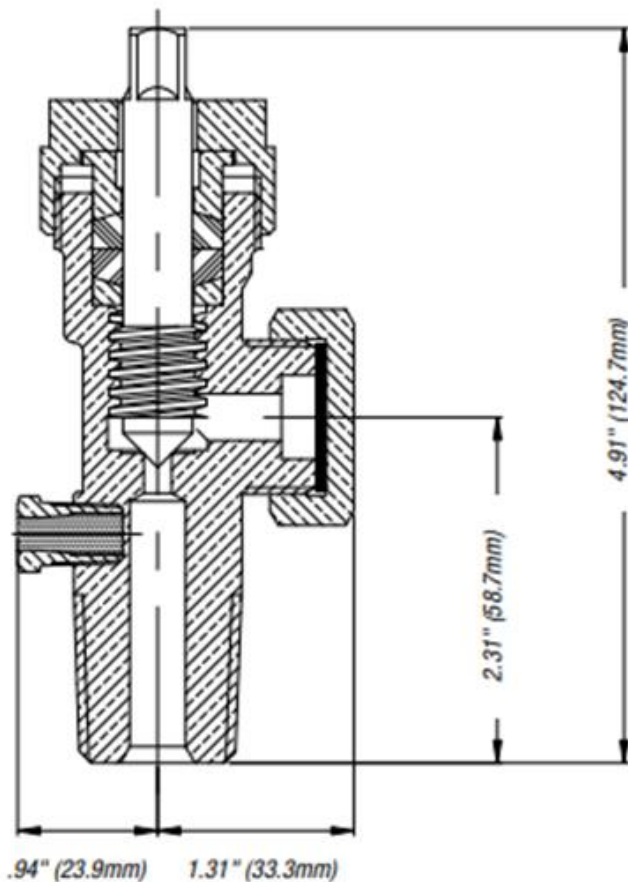
#### Standards Conformance

<b>CGA V-9</b>	Standard for Gas Cylinder Valves
<b>CGA S-1.1</b>	Standard for Pressure Relief Devices
<b>CGA V-1</b>	Compressed Gas Cylinder Valve Outlet and Inlet Connections Standards
<b>Chlorine Institute Pamphlet 17</b>	Cylinder and Ton Container Procedure for Chlorine Packaging and Valve Design Criteria
<b>ISO 10297</b>	International Standard for Cylinder Valves Design Specification
<b>TPED/ADR</b>	Transportable Pressure Equipment Directives

See Parts & Accessories, page 7–8, for more information



# Valvulas Clorinador



1210AX1-CL1